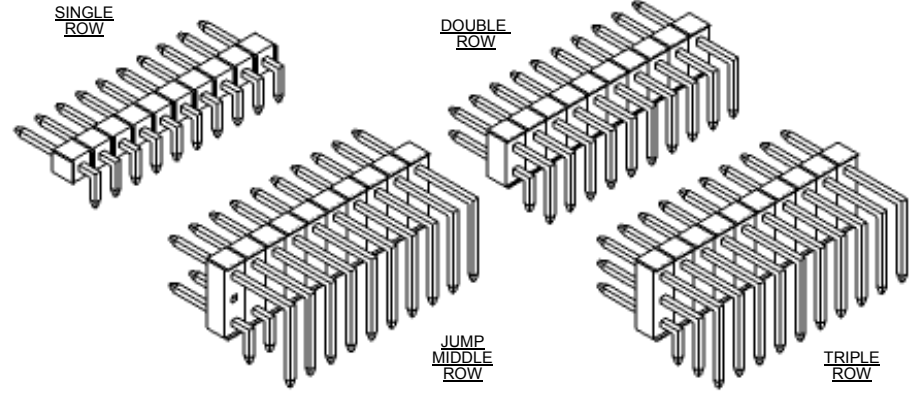
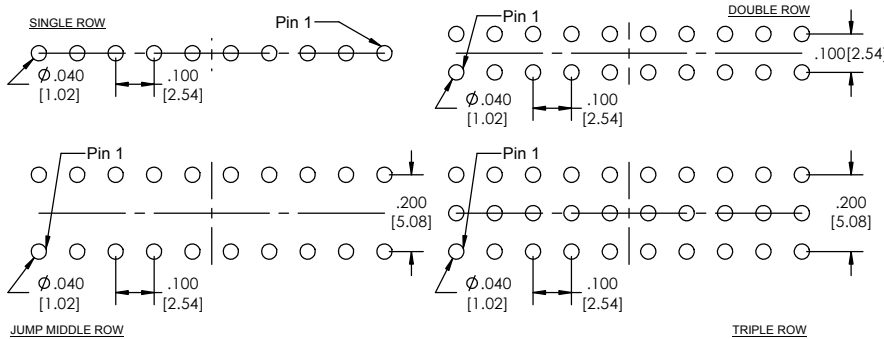


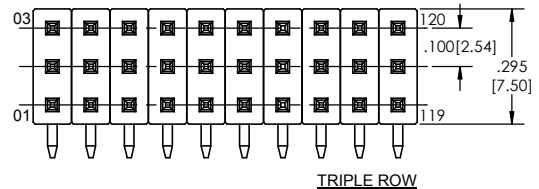
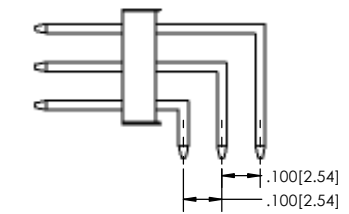
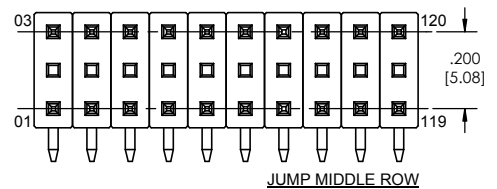
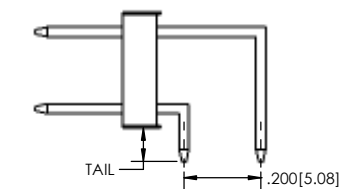
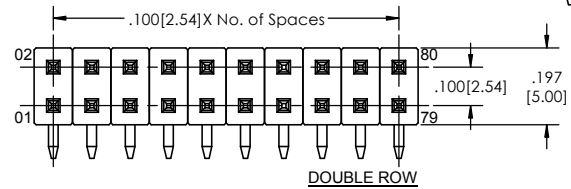
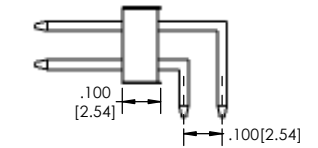
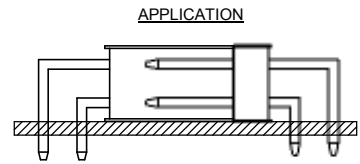
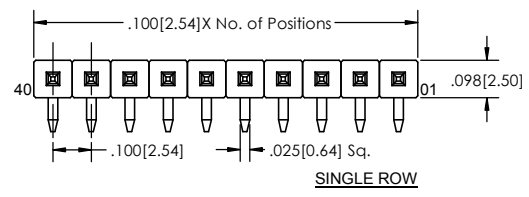
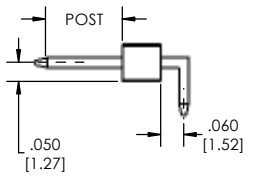
Recommended P.C. Board Layout  
SCALE 4:1



LTSHR-1 [XX] - [X] - [XX] - [X] - [XX] - [XX] - [XXX] - [X] - [LF]  
(A) (B) (C) (D) (E) (F) (G) (H) (I)

- A. Pins Per Row
  - 1 through 40
- B. Row Specification
  - S= Single Row
  - D= Double Row
  - J= Jump Middle Row
  - T= Triple Row
- C. Pin Options
  - See Pin Options below
- D. Desired Post Height
  - A= .230[5.84]
  - B= .318[8.08]
- E. Plating Options
  - See Plating Options below
- F. Lock Tight "LT" (Optional)
  - Leave blank if not needed
  - LT= With
- G. Polarized Position
  - Leave blank if not needed
  - If required, specify empty pin position
  - e.g. 012 for Pin 12
- H. Every Other Pin Filled (.200 Centers)
  - Leave blank if not needed
  - E= Filled
- I. Lead Free

Males with:  
BCSS.  
BSSH.  
BSSHC.  
BSSQ.  
BSSQC.  
BSSQM.  
LBCSS.  
LSMBC.  
LSWSS.  
SMBC.  
SSHQ.  
SSHQR.  
SSHR.  
SSHS.  
SSHSM.



| Plating options |  |
|-----------------|--|
| G               | -10µ Gold on Contact Area/ Flash on Tail       |
| T               | -Matte Tin all Over                            |
| GT              | -10µ Gold on Contact Area/ Matte Tin on Tail   |
| H               | -30µ Gold on Contact Area/ Matte Tin on Tail   |
| F               | -Gold Flash over Entire Pin                    |
| FT              | -Gold Flash on Contact Area/ Matte Tin on Tail |

| Specifications:           |                                       |    |
|---------------------------|---------------------------------------|----|
| Current Rating:           | 3.0 Ampere                            |    |
| Insulation Resistance:    | 1000M Ohms Min.                       |    |
| Dielectric Withstanding:  | 600V AC                               |    |
| Contact Resistance:       | 20M Ohms Max.                         |    |
| Operation Temperature:    | -55°C to +125°C                       |    |
| Max. Process Temperature: | Peak: 260°C up to 20 secs.            |    |
|                           | Process: 230°C up to 60 secs.         |    |
|                           | Wave: 260°C up to 6 secs.             |    |
|                           | Manual Solder: 350°C up to 5 secs.    |    |
| Materials:                | Contact Material: Phosphor Bronze     |    |
|                           | Insulator Material: Nylon 6T          |    |
|                           | Plating: Au or Sn over 50µ" (1.27) Ni |    |
| Pin Options               |                                       |    |
| Tail With .230 Post       | Tail With .318 Post                   |    |
| .110[2.79mm]              | N/A                                   | 02 |
| .210[5.33mm]              | .122[3.10mm]                          | 04 |
| .310[7.87mm]              | .222[5.64mm]                          | 06 |
| .410[10.42mm]             | .322[8.18mm]                          | 08 |
| .510[12.95mm]             | .422[10.71mm]                         | 10 |
| .610[15.49mm]             | .522[13.26mm]                         | 12 |
| .710[18.03mm]             | .622[15.80mm]                         | 14 |
| .810[20.57mm]             | .722[18.34mm]                         | 16 |
| .910[23.61mm]             | .822[20.88mm]                         | 18 |
| 1.010[25.65mm]            | .922[23.42mm]                         | 20 |
| 1.110[28.19mm]            | 1.022[25.96mm]                        | 22 |

Tails may be clipped to achieve specific dimensions.  
Products cut to specific sizes are uncancellable/ nonreturnable.  
Parts are subject to change without notice.



PROPRIETARY AND CONFIDENTIAL  
THE INFORMATION CONTAINED IN THIS DRAWING IS THE SOLE PROPERTY OF Major League Electronics. ANY REPRODUCTION IN PART OR AS A WHOLE WITHOUT THE WRITTEN PERMISSION OF Major League Electronics IS PROHIBITED.

|                             |  |                               |  |                       |  |
|-----------------------------|--|-------------------------------|--|-----------------------|--|
| UNLESS OTHERWISE SPECIFIED: |  | NAME                          |  | DATE                  |  |
| DRAWN: EOW                  |  | EOW                           |  | 01/16/14              |  |
| CHECKED: GWE                |  | GWE                           |  | 01/16/14              |  |
| ENG APPR:                   |  |                               |  |                       |  |
| MFG APPR:                   |  |                               |  |                       |  |
| ADDRESS:                    |  | 2533 Centennial Blvd.         |  | TITLE: LTSHR-1 SERIES |  |
|                             |  | Jeffersonville, IN 47130      |  | SIZE DWG. NO.         |  |
|                             |  | Phone: 812-670-4174           |  | C                     |  |
|                             |  | Fax: 812-670-4175             |  | A                     |  |
|                             |  | E-Mail: mle@mlelectronics.com |  | SCALE: 4:1            |  |
| DIMENSIONS ARE IN INCHES    |  | TOLERANCES:                   |  | FOUR DECIMAL ±.002    |  |
| NEXT ASSY                   |  | USED ON                       |  | APPLICATION           |  |
| FINISH                      |  | DO NOT SCALE DRAWING          |  |                       |  |

